



## Data Sheet Underground and Underwater Comet



Sleek and stylish, that is U-Tron's Underground Comet spot light. It has a very focused beam that is excellent for underground application. This underground comet can be used to light up monuments, pillars and even in temples.

## U-Tron (Beijing) Electronics Co. Ltd.,

### Our Vision

To be a company exercising leadership in applying high technology to improving the quality of life and protecting the environment.

### Our Mission

U-Tron is a customer-focused provider of innovative solutions for the Communication, Lighting, and Transportation markets. We are committed to employing advanced technologies with the highest level of quality, service and value to our family of employees, customers and suppliers through a process of continuous improvement.

### Our Promise

U-Tron promises leading-edge solutions with superior customer service, and delivers the highest quality products built with integrity and pride.

### Who we are

We are an Engineering company specializing in Telecommunications, Intelligent Transportation Systems, and Data, Voice and Video transmission. We design, develop and manufacture High Power LED luminaries to serve the ITS and other applications.



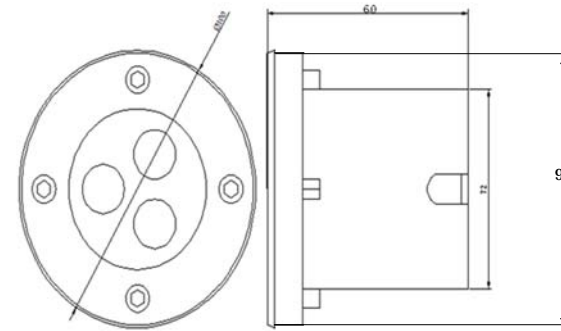
**Underground Short Comet 3.5W DC**

**Underground Short Comet 3.5W DC Technical Data**

General Information	
Heat Sink	6063-T5 Aluminum Alloy
Life Span	50000hr
Driver	Internal IP67 Driver
Electrical Characteristics	
Wattage	3.5W
Voltage	12VDC
Power Factor	>0.95
Temperature	
Operating Temp.	-40(min), 45(max)C
Storage	-40(min), 65(max)C

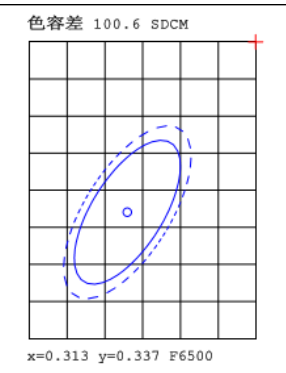
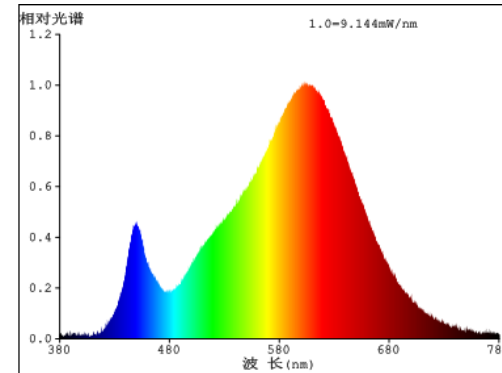


Light Characteristics	
Efficacy	130lm/w
Beam Angle	120
CCT	2700-3000K, 4500-5000K
Flux	455lm
Color Rendering Index	85
Product Dimensions	
Circular Diameter	100mm
Lamp Height	60mm
Cut out Diameter	99mm



Ordering Information			
Product Name	Underground Comet 3 3.5W 12VDC 60mm Cool White	Underground Comet 3 3.5W 12VDC 60mm Natural White	Underground Comet 3 3.5W 12VDC 60mm Warm White
Product Number	68UG-P03-CR4DC	68UG-P03-NR4DC	68UG-P03-WQ4DC
Barcode	6949606420000	6949606420109	6949606420208
Pieces Per Pack	1		
Packs Per Carton	10		
Net Weight Per Piece	0.93lbs./0.42Kg		

Safety and Environmental Compliance	
IP Rating	IP 67 Indoor Dry Area and water by mechanical casings and electrical enclosures
Certifications	UL, CSA, CE, GB7000 and CCC
Manufacturing Standards	GB120543



**For IES Files Downloads, please scan the QR Code here or type in the following link on your browser**

<http://www.u-tron.com/en/downloads/ies-files-for-all-products/IES-Files-Container/lang.en-gb/>



Proper illumination is essential for the optimization of safety, comfort and productivity in the classrooms; workplace lighting also dictates quality of perception, mood, and performance levels of the students.

Sleek and stylish, that is U-Tron's Underground Comet spot light. It has a very focused beam that is excellent for underground application. This underground comet can be used to light up monuments, pillars and even in temples.

**Underground Short Comet 3.5W AC Technical Data**

General Information	
Heat Sink	6063-T5 Aluminum Alloy
Life Span	50000hr
Driver	Internal IP67 Driver
Electrical Characteristics	
Wattage	3.5W
Voltage	Universal
Power Factor	>0.95
Temperature	
Operating Temp.	-40(min), 45(max)C
Storage	-40(min), 65(max)C



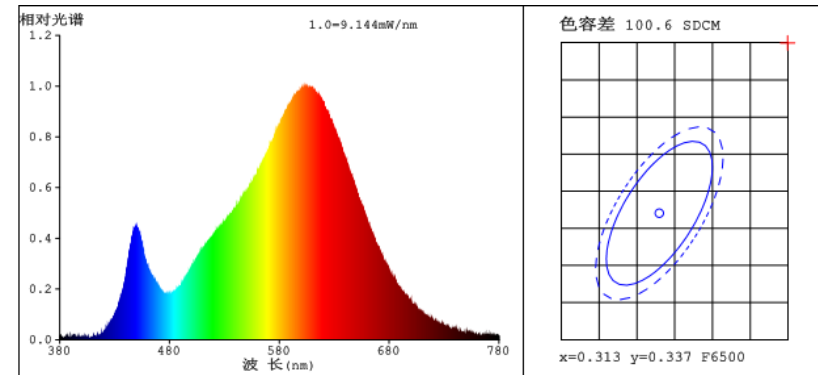
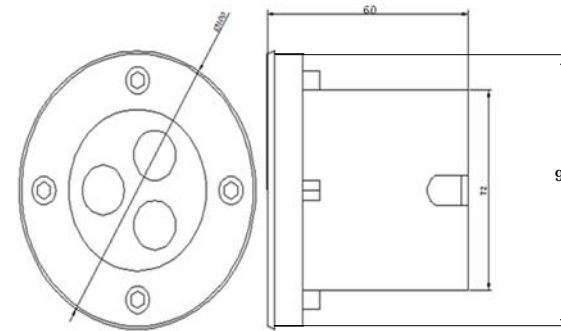
Light Characteristics	
Efficacy	130lm/w
Beam Angle	120
CCT	2700-3000K, 4500-5000K
Flux	455lm
Color Rendering Index	85
Product Dimensions	
Circular Diameter	100mm
Lamp Height	60mm
Cut out Diameter	99mm

Ordering Information			
Product Name	Underground Comet 3 3.5W Universal 60mm Cool White	Underground Comet 3 3.5W Universal 60mm Natural White	Underground Comet 3 3.5W Universal 60mm Warm White
Product Number	68UG-P03-CR4AC	68UG-P03-NR4AC	68UG-P03-WQ4AC
Barcode	6949606422202	6949606422301	6949606422400
Pieces Per Pack	1		
Packs Per Carton	10		
Net Weight Per Piece	0.93lbs./0.42Kg		

Safety and Environmental Compliance	
IP Rating	IP 67 Indoor Dry Area and water by mechanical casings and electrical enclosures
Certifications	UL, CSA, CE, GB7000 and CCC
Manufacturing Standards	GB120543



**Underground Short Comet 3.5W AC**



**For IES Files Downloads, please scan the QR Code here or type in the following link on your browser**

<http://www.u-tron.com/en/downloads/ies-files-for-all-products/IES-Files-Container/lang.en-gb/>



Proper illumination is essential for the optimization of safety, comfort and productivity in the classrooms; workplace lighting also dictates quality of perception, mood, and performance levels of the students.

Sleek and stylish, that is U-Tron's Underground Comet spot light. It has a very focused beam that is excellent for underground application. This underground comet can be used to light up monuments, pillars and even in temples.

**Underground Long Comet 3.5W DC Technical Data**

General Information	
Heat Sink	6063-T5 Aluminum Alloy
Life Span	50000hr
Driver	Internal IP67 Driver
Electrical Characteristics	
Wattage	3.5W
Voltage	12VDC
Power Factor	>0.95
Temperature	
Operating Temp.	-40(min), 45(max)C
Storage	-40(min), 65(max)C



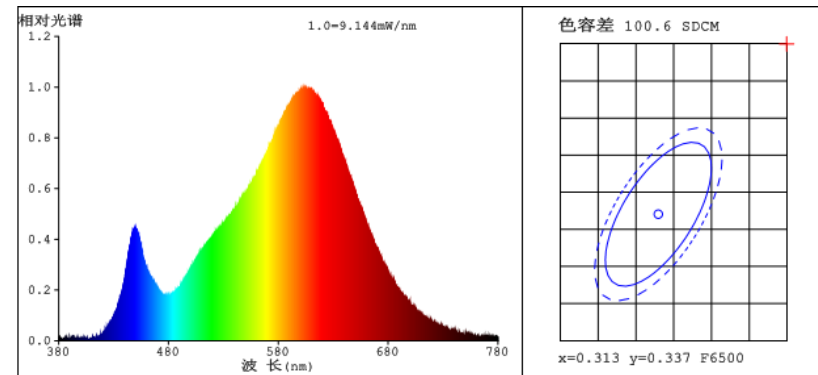
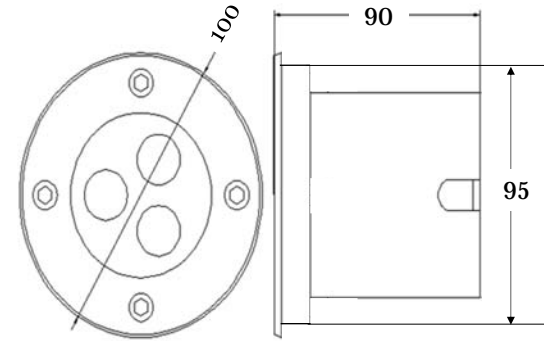
Light Characteristics	
Efficacy	130lm/w
Beam Angle	120
CCT	2700-3000K, 4500-5000K
Flux	455lm
Color Rendering Index	85
Product Dimensions	
Circular Diameter	100mm
Lamp Height	90mm
Cut out Diameter	95mm

Ordering Information			
Product Name	Underground Comet 3 3.5W 12VDC 90mm Cool White	Underground Comet 3 3.5W 12VDC 90mm Natural White	Underground Comet 3 3.5W 12VDC 90mm Warm White
Product Number	68UG-P03-CR4DC90	68UG-P03-NR4DC90	68UG-P03-WQ4DC90
Barcode	6949606420604	6949606420703	6949606420802
Pieces Per Pack	1		
Packs Per Carton	10		
Net Weight Per Piece	0.93lbs./0.52Kg		

Safety and Environmental Compliance	
IP Rating	IP 67 Indoor Dry Area and water by mechanical casings and electrical enclosures
Certifications	UL, CSA, CE, GB7000 and CCC
Manufacturing Standards	GB120543



**Underground Long Comet 3.5W DC**



**For IES Files Downloads, please scan the QR Code here or type in the following link on your browser**

<http://www.u-tron.com/en/downloads/ies-files-for-all-products/IES-Files-Container/lang-en-gb/>



Proper illumination is essential for the optimization of safety, comfort and productivity in the classrooms; workplace lighting also dictates quality of perception, mood, and performance levels of the students.

Sleek and stylish, that is U-Tron's Underground Comet spot light. It has a very focused beam that is excellent for underground application. This underground comet can be used to light up monuments, pillars and even in temples.

**Underground Long Comet 3.5W AC Technical Data**

General Information	
Heat Sink	6063-T5 Aluminum Alloy
Life Span	50000hr
Driver	Internal IP67 Driver
Electrical Characteristics	
Wattage	3.5W
Voltage	Universal
Power Factor	>0.95
Temperature	
Operating Temp.	-40(min), 45(max)C
Storage	-40(min), 65(max)C



Light Characteristics	
Efficacy	130lm/w
Beam Angle	120
CCT	2700-3000K, 4500-5000K
Flux	455lm
Color Rendering Index	85
Product Dimensions	
Circular Diameter	100mm
Lamp Height	90mm
Cut out Diameter	95mm

**Ordering Information**

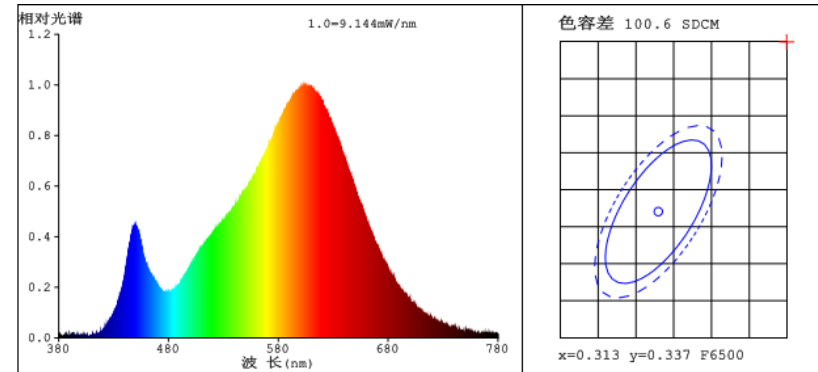
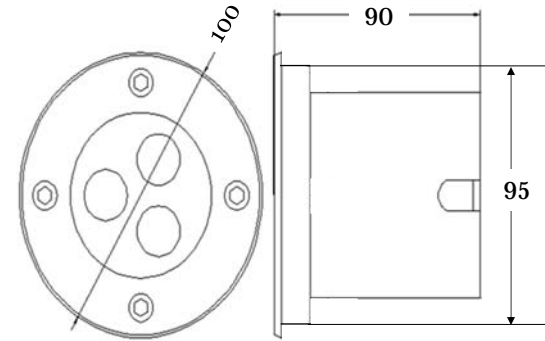
Product Name	Underground Comet 3 3.5W Universal 90mm Cool White	Underground Comet 3 3.5W Universal 90mm Natural White	Underground Comet 3 3.5W Universal 90mm Warm White
Product Number	68UG-P03-CR4AC90	68UG-P03-NR4AC90	68UG-P03-WQ4AC90
Barcode	6949606421908	6949606422004	6949606422103
Pieces Per Pack	1		
Packs Per Carton	10		
Net Weight Per Piece	0.93lbs./0.52Kg		

**Safety and Environmental Compliance**

IP Rating	IP 67 Indoor Dry Area and water by mechanical casings and electrical enclosures
Certifications	UL, CSA, CE, GB7000 and CCC
Manufacturing Standards	GB120543



**Underground Long Comet 3.5W**



**For IES Files Downloads, please scan the QR Code here or type in the following link on your browser**

<http://www.u-tron.com/en/downloads/ies-files-for-all-products/IES-Files-Container/lang.en-gb/>



Proper illumination is essential for the optimization of safety, comfort and productivity in the classrooms; workplace lighting also dictates quality of perception, mood, and performance levels of the students.

Sleek and stylish, that is U-Tron's Underground Comet spot light. It has a very focused beam that is excellent for underground application. This underground comet can be used to light up monuments, pillars and even in temples.

**Underwater Comet 3.5W Technical Data**

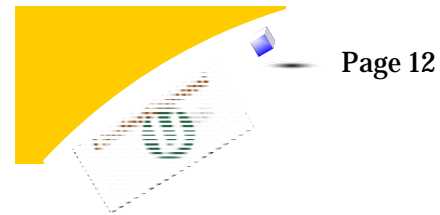
General Information	
Heat Sink	6063-T5 Aluminum Alloy
Life Span	50000hr
Driver	Internal IP67 Driver
Electrical Characteristics	
Wattage	3.5W
Voltage	12VDC
Power Factor	>0.95
Temperature	
Operating Temp.	-40(min), 45(max)C
Storage	-40(min), 65(max)C



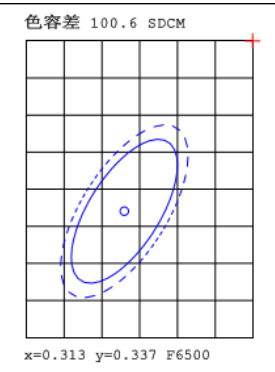
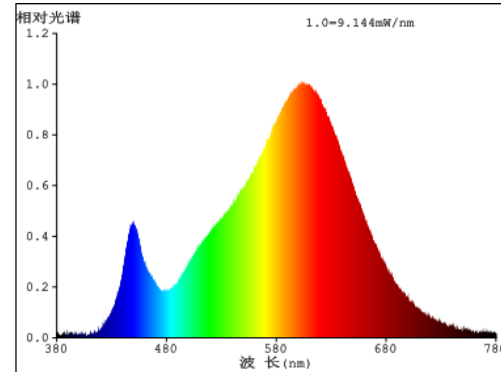
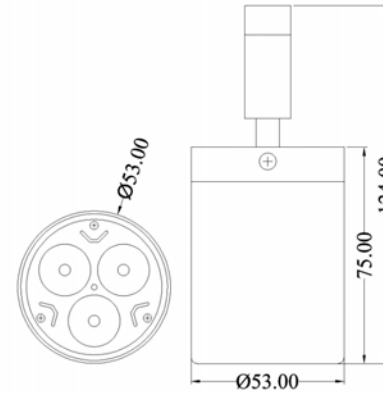
Light Characteristics	
Efficacy	130lm/w
Beam Angle	120
CCT	2700-3000K, 4500-5000K
Flux	455lm
Color Rendering Index	85
Product Dimensions	
Circular Diameter	53mm
Lamp Height	75mm
Cut out	124mm

Ordering Information			
Product Name	Underwater Comet 3 3.5W 12VDC Cool White	Underwater Comet 3 3.5W 12VDC Natural White	Underwater Comet 3 3.5W 12VDC Warm White
Product Number	68UW-P03-CR4DC	68UW-P03-NR4DC	68UW-P03-WQ4DC
Barcode	6949606420307	6949606420406	6949606420505
Pieces Per Pack	1		
Packs Per Carton	10		
Net Weight Per Piece	0.350Kg		

Safety and Environmental Compliance	
IP Rating	IP 67 Indoor Dry Area and water by mechanical casings and electrical enclosures
Certifications	UL, CSA, CE, GB7000 and CCC
Manufacturing Standards	GB120543



**Underwater Comet 3 3.5W**



**For IES Files Downloads, please scan the QR Code here or type in the following link on your browser**

<http://www.u-tron.com/en/downloads/ies-files-for-all-products/IES-Files-Container/lang,en-gb/>



Proper illumination is essential for the optimization of safety, comfort and productivity in the classrooms; workplace lighting also dictates quality of perception, mood, and performance levels of the students.

Sleek and stylish, that is U-Tron's Under Water Comet spot light. It has a very focused beam that is excellent for swimming pools or under water applications.

**Wiring and Installation Guide**

**Repair and Assembly Instructions**

Your lamps are covered by factory warranty for 3 years from the date of manufacturing.

1. First thing is to make sure what is the cut out size of the Underground or Underwater Comet..
2. The Cut out will provide you with the height of the Hole, while the diameter will be the Diameter of the Lamp.
3. For underground and underwater Lamp, it will be best to put them into plastic cylinder, so it will be easier to place them on the ground of in water, but they can be placed with out the plastic cylinder. It is the customers option.
4. Now make sure either using the either using the AC or DC option, the wires are connected to a 12V ac or dc transformer or a power unit that provides a steady 12V.
5. after wiring the lamps can be placed.

**60W AC DC Power Supply Technical Data**

Electrical Characteristics	
<b>OUT PUT</b>	
DC Voltage	<b>12V</b>
Rated Current	<b>5A</b>
Current Range	<b>0~5A</b>
Rated Power	<b>60W</b>
Ripple Noise) Note.2	<b>120mVp-p</b>
Voltage Tolerance Note.3	<b>±5.0%</b>
Line Regulation	<b>±1.0%</b>
Load Regulation	<b>±2.0%</b>
Setup, Rise Time	500ms, 20ms / 230VAC 5 at full load
Hold Up Time (typ.)	50ms/230VAC 16ms/115 VAC at full load
<b>INPUT</b>	
Voltage Range Note.4	90 ~ 264VAC 127 ~ 370VDC
Frequency Range	47-63Hz
Efficiency (typ.)	<b>83%</b>
Ac Current (typ.)	<b>1.2A/115VAC 1A/230VAC</b>
Inrush current	COLD START 45A
leakage Current	0.25mA/240VAC

Operational System	
Overload	110-150% rated output power protection type: hiccup mode, recovers automatically after fault condition
	115-135% rated output voltage
Over Voltage	13.8 ~ 16.2V
	Protection type : Shut off o/p voltage
Working Temp	-30 ~ +70℃
Working Humidity	20-90%rh non-condensing
Storage Temp, Humidity	-40~+85 , 10~95% RH
Temp. Coefficient	±0.03%/c(0-50°c)
Vibration	10~500Hz, 2G 10min./1cycle, period for 60min. each along X, Y, Z axes

Product Dimensions	
Length	162.5mm
Height	32mm
Width	42.5mm



Ordering Information	
Product Name	Power Supply Transformers 60W 12vDC Output
Product Number	LPV-60-12
Barcode	6949606422608
Pieces Per Pack	1
Packs Per Carton	32
Net Weight per Piece	0.4Kg

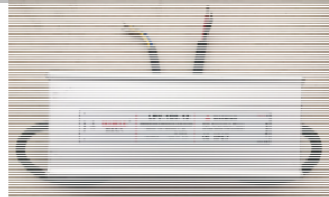
Safety And Environmental Compliance	
Safety Standard Note.6	<b>UL879, UL1310, CSA C22.2 No. 207-M89, CAN/CSA C22.2 No. 223-M91, IP67 approved ; design refer to TUV EN60950 -1</b>
Withstand Voltage	I/P-O/P:3KVAC
Isolation Resistance	I/P-O/P:>100M Ohms / 500VDC / 25 / 70% RH
EMC Emission	Compliance to EN55022 (CISPR22) Class B, EN61000-3-2,-3
EMI Immunity	Compliance to EN61000-4-2,3,4,5,6,8,11, EN55024, EN61000-6-1, light industry level, criteria A

**Wiring and Installation Guide**

**100W AC DC Power Supply Technical Data**

Electrical Characteristics	
<b>OUT PUT</b>	
DC Voltage	<b>12V</b>
Rated Current	<b>8.5A</b>
Current Range	<b>0~8.5A</b>
Rated Power	<b>102W</b>
Ripple Noise) Note.2	<b>120mVp-p</b>
Voltage Tolerance Note.3	<b>±5.0%</b>
Line Regulation	±1.0%
Load Regulation	±2.0%
Setup, Rise Time	2000ms, 25ms / 230VAC 14ms/115VAC at full load
Hold Up Time (typ.)	50ms/230VAC 14ms/115 VAC at full load
<b>INPUT</b>	
Voltage Range Note.4	90 ~ 264VAC 127 ~ 370VDC
Frequency Range	47-63Hz
Efficiency (typ.)	<b>85%</b>
Ac Current (typ.)	<b>2.2A/115VAC 1.2A/230VAC</b>
Inrush current	COLD START 75A
leakage Current	0.25mA/240VAC

Operational System	
Overload	110-150% rated output power protection type: hiccup mode, recovers automatically after fault condition
	115-135% rated output voltage
Over Voltage	13.8 ~ 16.2V Protection type : Shut off o/p voltage
Working Temp	-30 ~ +70℃
Working Humidity	20-90%rh non-condensing
Storage Temp, Humidity	-40~+85 , 10~95% RH
Temp. Coefficient	±0.03%/c(0-50°c)
Vibration	10~500Hz, 2G 10min./1cycle, period for 60min. each along X, Y, Z axes



Product Dimensions	
Length	190mm
Height	37mm
Width	52mm

Ordering Information	
Product Name	Power Supply Transformers 100W 12vDC Output
Product Number	LPV-100-12
Barcode	6949606422707
Pieces Per Pack	1
Packs Per Carton	20
Net Weight per Piece	0.63Kg

Safety And Environmental Compliance	
Safety Standard Note.6	<b>UL879, UL1310, CSA C22.2 No. 207-M89, CAN/CSA C22.2 No. 223-M91, IP67 approved ; design refer to TUV EN60950 -1</b>
Withstand Voltage	I/P-O/P:3KVAC
Isolation Resistance	I/P-O/P:>100M Ohms / 500VDC / 25 / 70% RH
EMC Emission	Compliance to EN55022 (CISPR22) Class B, EN61000-3-2,-3
EMI Immunity	Compliance to EN61000-4-2,3,4,5,6,8,11, EN55024, EN61000-6-1, light industry level, criteria A

**Input**

1. Connect Main Power Supply to these 3 wires. Which are :

**Brown : Live Wire**

**Blue: Neutral**



**Output**

2. Connect Product Wire . Which are :

**Red : Postive Wire**

**Black: Negative wire**





# U-Tron Warranty

## Safety Compliance

U-Tron products meets UL, CSA, CE and CCC safety requirements: Our factories are ISO 9000 certified and follow PRC Electronics Manufacturing disciplines through out the process.



## Underwriters Lab Safety Compliance

## Canadian Safety Assurance



## China CCC certifications

## EU Commodity Compliance

U-Tron (Beijing) Electronics Co. Ltd., warrant the products listed bellow for a period of 36 months from the date of shipment to be free from defects in material or workmanship and to be of the kind and quality designated or specified in the purchase agreements. If any products do not meet the above warranty and the buyer promptly files a warranty claim U-Tron shall do the following:

1. U-Tron shall provide a 12 month “No Questions Asked” replacement of any faulty units at no charge to the customer. The time limit for exchange shall not exceed 30 days from the time a claim is filed by the buyer. The buyer shall return the faulty units within 30 days of filing the claim. The method of returning the faulty units to U-Tron shall be decided at that time by U-Tron and all shipping charges shall be borne by U-Tron.
2. At the end of the 12 month period U-Tron shall provide additional free extended warranty for another 24 months. During this 24 month period U-Tron shall repair or replace and re-certify all faulty units returned. Shipping charges for sending the units to U-Tron shall be the responsibility of the Buyer and the Shipping charges to return the repaired goods to the buyer shall be borne by U-Tron. Time limit for repairs shall not exceed 60 days.
3. The warranties set forth herein shall be voided if the units have been 1) repaired or altered by any un-authorized person 2) subjected to misuse, negligence and accidents or operated in other than normal operation and use. 3) Connected, installed or modified in a manner not in accordance with U-Tron instructions. This warranty is applicable to all LED Products.
4. U-Tron at our own option can elect to provide replacement units at any desired percentage to be warehoused and logged by the buyers for timely service of the extended warranty replacements. When the warranty expires the bad units and the unused spare parts items shall be shipped back to U-Tron unless otherwise stipulated in the contract or purchase agreements. If the warehoused quantities become 90% used up or nearing the end of stock, the buyers shall ship back the faulty units to U-Tron. U-Tron shall rotate the spare parts inventory with in 60 days of receiving from the buyers.
5. All warranty claim items shall by shipped to the buyers regardless of the geographical location, by air freight to the nearest airport or courier service to the customer site, and any returning items can be shipped by sea or air freight at the request of U-Tron. If the customer fails to return the said faulty units with in the time frame as instructed, it will be considered as sold and U-Tron reserve the rights to bill the customer for its full value.
6. U-Tron shall not bare any responsibilities with the buyer’s customer claims or shall not bare any other expenses incurred other than the units cost it self. Customer site un-installation and re-installation of any faulty units shall not be the responsibility of U-Tron.



## **China Corporate Office**

U-Tron (Beijing) Electronics Co. LTD.,  
20 Tianhua Yuan, Erli Erqu Suites 517-520  
Yizhuang Development Area,  
Beijing, China 100176  
+86 10 6568 2990

## **Factory Address:**

Maanshan U-Tron Photoelectric  
Technology Co. LTD  
259 Huxi South Road  
Maanshan City, Anhui, CHINA  
+86 555 370 8718

## **For more information please contact:**

Dr. Chamendra Sirimanna  
Director Of International Marketing  
Mobile Number: +86 183-0555-1170  
E-mail: Chamendra@U-Tron.com



Scan to visit the  
U-Tron official site



Scan to visit all Underground  
LED light

