

U-Tron Arm Twist

U-Tron Arm Twist is designed to meet the smaller pole diameter requirements. This Arm Twist is necessarily designed to fit on the U-Tron Lucas Street Lights series. U-Tron engineering team had a success to make this excellent adapter to satisfy all the inquiries from various clients on how to install Lucas Street Light series on the smaller pole diameters.

U-Tron Arm Twist is made by aluminum that boosts the character of being lightweight, and corrosion resistant. It is composed of two pieces we called “Arm” that can be combined with an M8 bolt. The significance of the mechanically designed teeth on both side of the arm is to make the two pieces bonded tightly. It has also the ability to “Twist” at a desired angle ranges from 90 to 180 degrees. The Arm Twist has an internal diameter of 50 millimeters and has two M8 bolt to tighten it on the pole. The total weight of the Arm twist is 1.7 kilograms



Figure a

**6800-103-R3
Arm Twist**



Figure b

Installation instructions

- 1. First is to set the desired angle on the arm twist before tighten it on the M8 bolt and an M8 nut on the other end**
- 2. After the two pieces is combined perfectly, insert the other end of the Arm Twist to the Lucas Street Light and tighten it by screwing the three M10 bolt from the Lucas Street Light**
- 3. The whole light (fig.b) now can be installed on a pole smaller than 50mm diameter**
- 4. After positioning the light the two M8 bolt should be tighten it properly.**

U-Tron (Beijing) Electronics Co., Ltd.

Rooms 520-532 Kinghero Building, 20 TianHuaYuan Erli Erqu, BDA, Yizhuang, Beijing, 100176
Tel: +86-10-6568-2990; Toll Free 400-626-1806 www.u-tron.com

6800-103-R3 Arm Twist

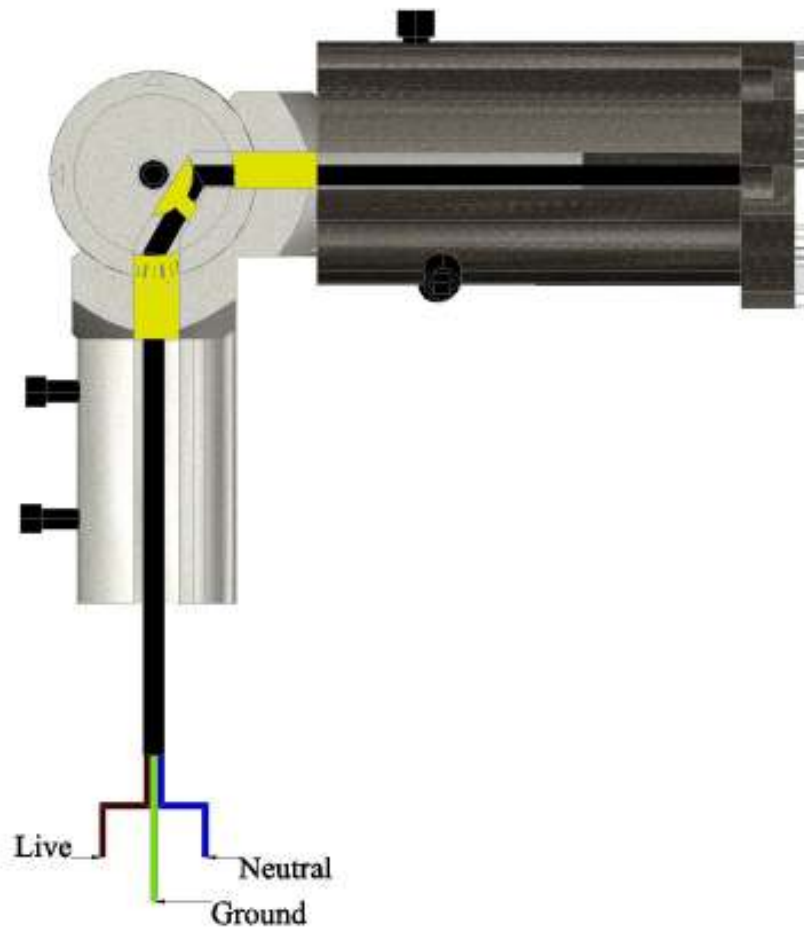


Figure c

Wiring Code:

IEC Standards

Brown = Live

Blue = Neutral

Green Yellow = Ground

U-Tron (Beijing) Electronics Co., Ltd.

Rooms 520-532 Kinghero Building, 20 TianHuaYuan Erli Erqu, BDA, Yizhuang, Beijing, 100176
Tel: +86-10-6568-2990; Toll Free 400-626-1806 www.u-tron.com