

# LeDiwali



## LeDiwali Solar Light II LED W CR4

This is a must have for any government street lighting project, especially where there are problems with reliable power generation or those area that are trying to reduce their carbon footprint.

### Product Technical Data

#### General Informaion

Heatsink 6063-T5 aluminum alloy  
Life Span 50000hr

#### Light Characteristics

Efficacy 99.27 lm/W  
Beam Angle 120  
CCT 4000K  
Flux 10,920lm  
Color Rending 85  
Index

#### Electrical Characteristics

Wattage 100W  
Voltage universal  
Power Factor 0.937

#### Temperature

Operating Temp. -40(min), 45(max)C  
Storage -40(min), 45(max)C

#### Product Dimensions

Lamp Length 560mm  
Lamp Width 333mm  
Lamp Height 100.5mm  
Lamp Body Length 560mm  
Max Pole Opening 72mm

#### Ordering Information

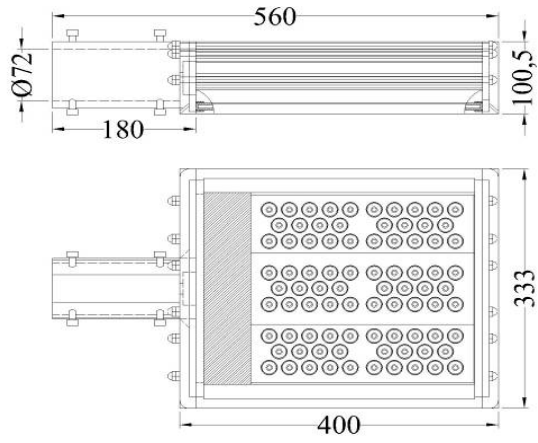
Product Number A-6830-084-CR4  
Product Name Lucas II 84  
Product Ordering Name Lucas Street Light  
84LED 100W CR4  
Pieces Per Pack 1  
Packs Per Carton 1  
Net Weight Per Piece 8.7 Kg

[www.u-tron.com](http://www.u-tron.com)



# SoLED Solar Light

## Technical Drawing



©2012 U-Tron (Beijing) Electronics Co., LTD

All rights reserved

Specifications are subject to change without notice

15-Feb-12

data subject to change

[www.u-tron.com](http://www.u-tron.com)

