



Soled Solar Light



6830-042-CR4

Soled Solar Light I 42LED 50W CR4

This is a must have for any government street lighting project, especially where there are problems with reliable power generation or those area that are trying to reduce their carbon footprint.

Product Technical Data

General Informaion

Heatsink	6063-T5 aluminum alloy
Life Span	50000hr

Light Characteristics

Efficacy	99.27 lm/W
Beam Angle	120
CCT	4000K
Flux	5460lm
Color Rendering Index	85

Electrical Characteristics

Wattage	50W
Voltage	universal
Power Factor	0.937

Temperature

Operating Temp.	-40(min), 45(max)C
Storage	-40(min), 45(max)C

Product Dimensions

Lamp Length	443mm
Lamp Width	333mm
Lamp Height	100.5mm
Lamp Body Length	400mm
Max Pole Opening	72mm

Ordering Information

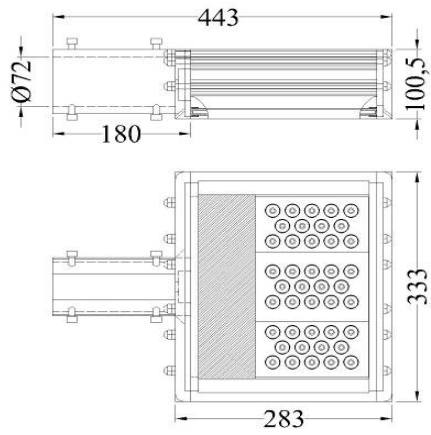
Product Number	A-6830-042-CR4
Product Name	Lucas I 42
Product Ordering Name	Lucas Street Light 42LED 50W CR4
Pieces Per Pack	1
Packs Per Carton	1
Net Weight Per Piece	6.5 Kg

www.u-tron.com



SoLED Solar Light

Technical Drawing



©2012 U-Tron (Beijing) Electronics Co., LTD
All rights reserved
Specifications are subject to change without notice

15-Feb-12
data subject to change

