



LeDiwali Indoor



6840-P14-CR4

LeDiwali Indoor 1820lm 18W CR4

Are you worried that your traditional incandescent lights are doing damage to the environment? Are they costing you too much to maintain and operate? Why not replace them with the LeDiwali Indoor Light. All of U-Tron's LED lights are made with one thing in mind: The environment. Save the planet today, buy a LeDiwali.

Product Technical Data

General Informaion

Cap Size	E40
Life Span	50000hr

Product Dimensions

Length	272mm
Diameter	92mm

Light Characteristics

Efficacy	101.00 lm/W
Beam Angle	160 D
CCT	4000K
Flux	1820lm
	85

Color Rending Index

Ordering Information

Product Number	A-6840-P14-CR4
Product Name	LeDiwali Indoor Bulb 14
Product Ordering Name	LeDiwali Indoor Bulb 14 5500K 1820 LM CR4

Electrical Characteristics

Wattage	18W
Voltage	universal
Power Factor	0.937

Pieces Per Pack	1
Packs Per Carton	1

Temperature

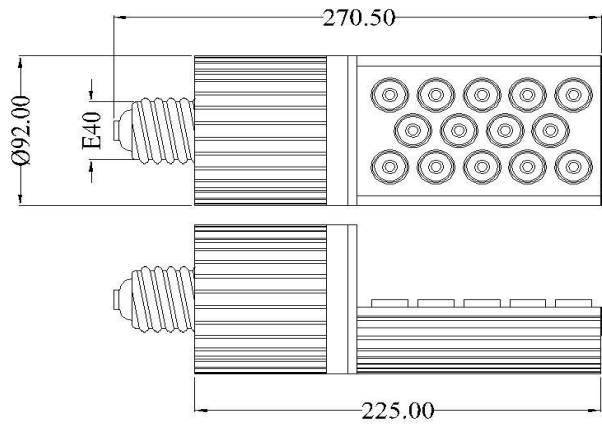
Operating Temp.	-40(min), 45(max)C
Storage	-40(min), 65(max)C

www.u-tron.com



LeDiwali Indoor

Technical Drawing



©2012 U-Tron (Beijing) Electronics Co., LTD
All rights reserved
Specifications are subject to change without notice

15-Feb-12
data subject to change

