



Helios Junior



6853-P03-CR5E27 S/R

Helios 417 lm 84mm 3.8W E27

The Helios is the ideal LED replacement for conventional incandescent and CFL lights. U-Tron's innovative design uses high power Cree LEDs to bring energy savings to your home or office. The Helios is the perfect solution for general lighting applications

Product Technical Data

General Informaion

Cap Size	E27
Life Span	50000hr

Light Characteristics

Efficacy	109.7lm/W
Beam Angle	150 D
CCT	5500K
Flux	417lm
Color Rendering Index	85

Electrical Characteristics

Wattage	3.8W
Voltage	universal
Power Factor	0.937

Temperature

Operating Temp.	-30(min), 65(max)C
Storage	-40(min), 65(max)C

Product Dimensions

Length L1	84mm
Socket Type	E27
Circular Outline Dimension	49.5mm

Ordering Information

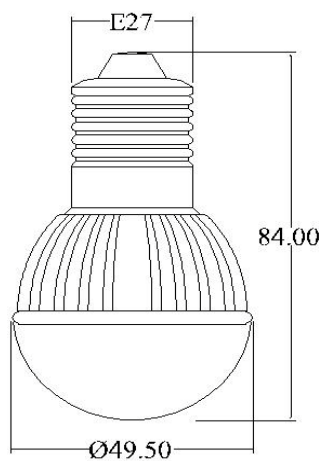
Product Number	6853-P03-CR5E27 S/R
Product Name	Helios Junior E27
Product Ordering Name	Helios Junior E27
Pieces Per Pack	1
Packs Per Carton	102
Net Weight Per Piece	135 Grams

www.u-tron.com



Extendum T8

Technical Drawing



©2012 U-Tron (Beijing) Electronics Co., LTD

All rights reserved

Specifications are subject to change without notice

15-Feb-12

data subject to change

