



Andromeda LED Module

68ML-RGB-WTC3-A

Andromeda LED 5050 12V 0.72W

Andromeda LED is waterproof module, a perfect solution for any decorative LED application for indoor or outdoor. Each module consists of 3 high output LEDs to ensure optimal result. It is a low wattage LED that ensure energy efficient and low cost solution.

Product Technical Data

General Information

Max Connection	30 leg
Life Span	20000hr

Color Parameters

Red	625-630NM
Amber	595NM
Cool White 1	7000K
Cool White 2	5100K
White 3	4200K
Warm White 4	3500K
Warm White 5	2800K
Green	520NM
Blue	470NM

Electrical Characteristics

Wattage	0.72W
Voltage	12 VDC

Temperature

Operating Temp.	-30(min), 65(max)C
Storage	-40(min), 65(max)C

Product Dimensions

Total Length	95 mm
Body Length	77 mm
Hole to Hole Distance	87 mm
Width	18 mm
Height	10 mm

Ordering Information

Product Number	68ML-RGB-WTC3-A
Product Name	Andromeda LED Module
Product Ordering Name	Trichip LED 5050 12V 0.72W

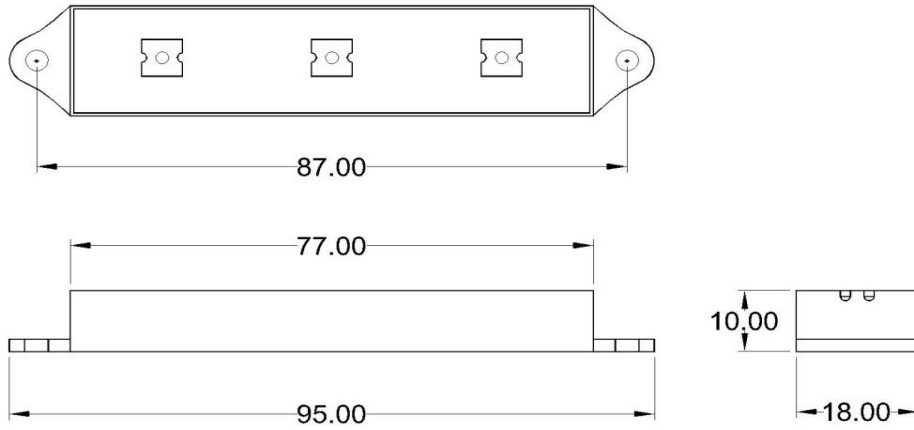
LED Type	5050 SMD
LED Number	3
IP Class	IP 68

www.u-tron.com



Trichip LED Module

Technical Drawing



©2012 U-Tron (Beijing) Electronics Co., LTD
All rights reserved
Specifications are subject to change without notice

23-Mar-12
data subject to change

